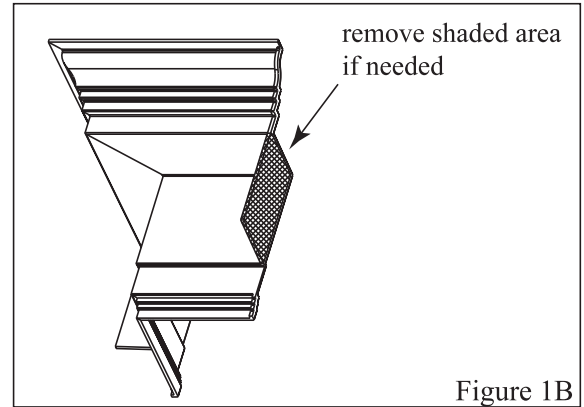
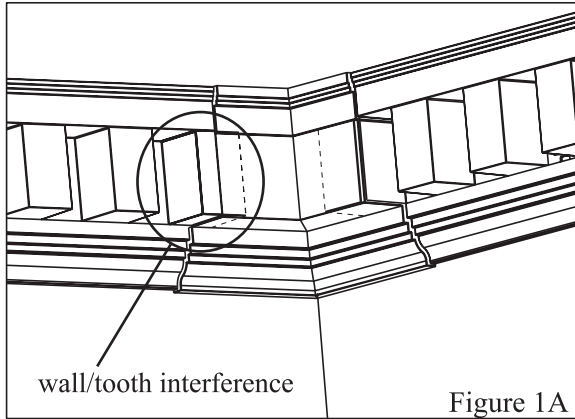




When installing the covers there may be interference between the cover and the dentil tooth. If this occurs remove the wall on the cover as shown in Figure 1B by scoring from the back side with a knife.

*Note: An Inside Corner Cover is shown in Figures 1A and 1B as an example. The wall on the Outside Corner Cover and the Endcap Cover may need to be removed also.*



Optional: If needed, Endcaps can be created by cutting Outside Corners at the scribe lines. See Figure 2 below.

