

Step 2

Once a starting point has been established, continue working from left to right along the wall locking the Exterior Dentil to one another. Screw them into place the same way as stated earlier. See Figures 3A and 3B at right.

As each piece of dentil is screwed into place, the screw covers can be installed. To do this place the hook into the bottom of the dentil screw pocket first. Then push the the flat tab into the top of the screw pocket until it is securely locked into place. See Figures 4A and 4B at right.

Step 4

At the end of each wall the Exterior Dentil may need to be cut. Make sure when cutting the Exterior Dentil that you cut from the right side.

Note: When terminating with an Endcap, be sure the dentil ends 3" from the end of the wall. See Figure 5 at right.

Step 5

When using a cut piece of dentil to continue with either an inside or outside corner, it may need to be trimmed. See Figure 6 below. Cutting the dentil at this 1/2" dimension will eliminate the need to cut the wall off that particular corner.

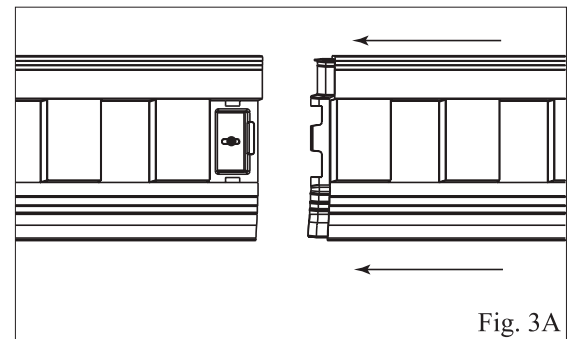


Fig. 3A

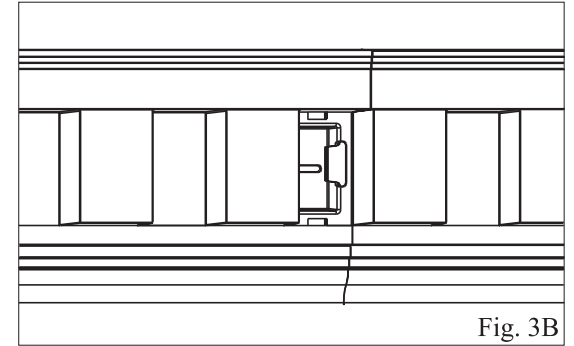


Fig. 3B

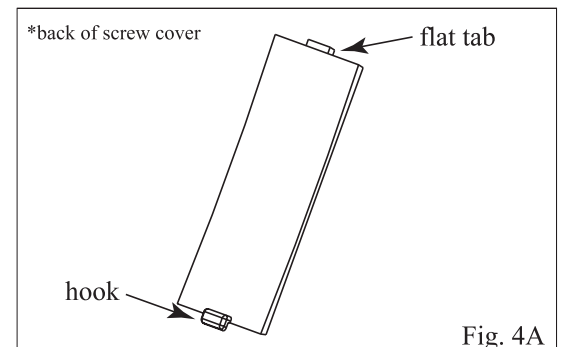


Fig. 4A

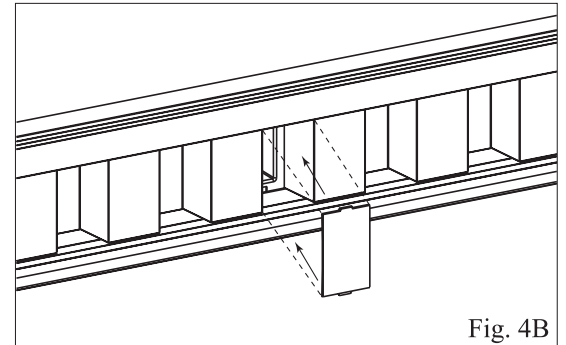


Fig. 4B

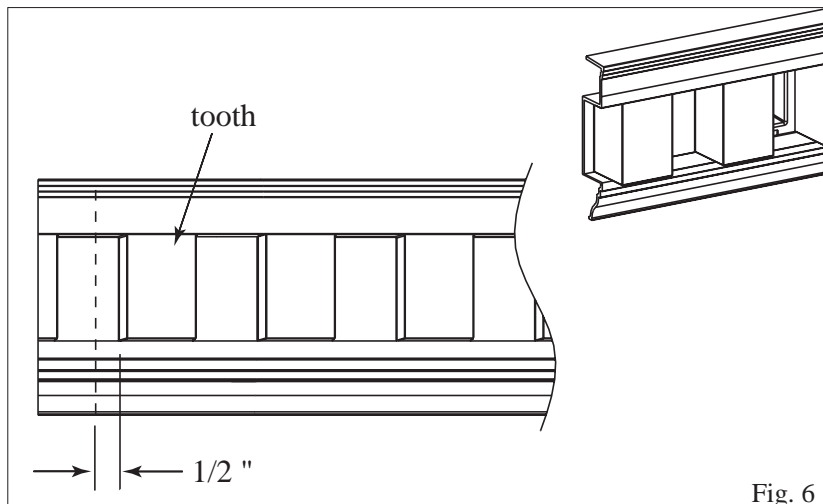


Fig. 6

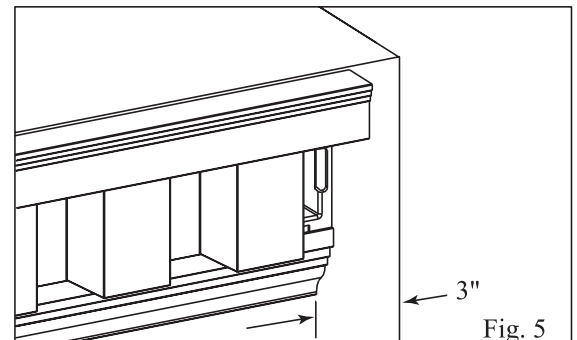


Fig. 5