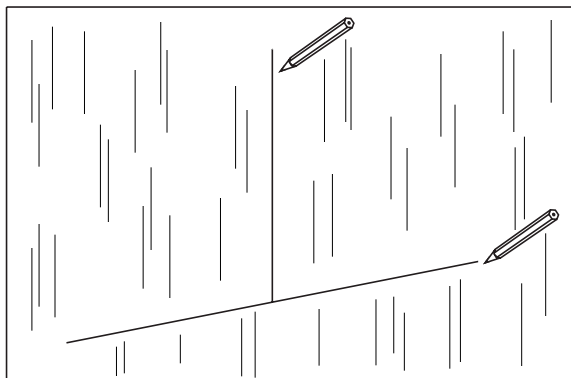


GableMASTER Style-A-Vent Installation Instructions

-To be installed prior to siding-

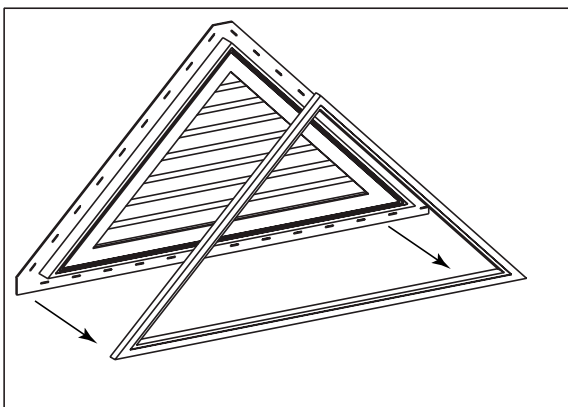
Step 1

Choose the location of your vent. Using a level, mark the wall with a horizontal and vertical line to ensure square alignment of the vent with the siding.



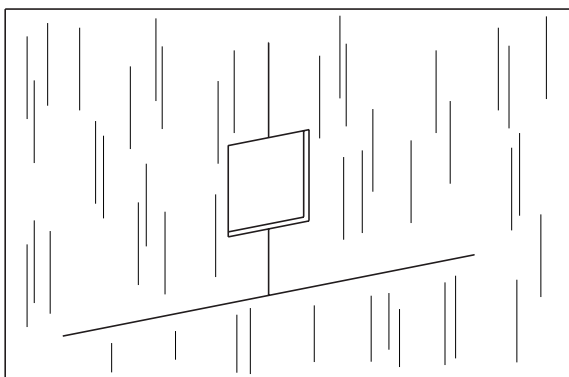
Step 2

Remove the Lock-on Ring from the vent.



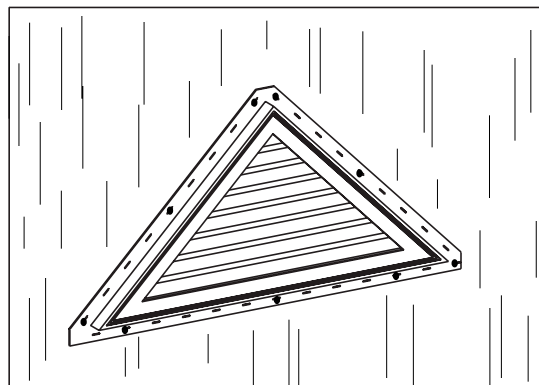
Step 3

Cut a hole in the wall equal to approximately 25% of the size of the vent (Find the area of your vent and divide by 4).



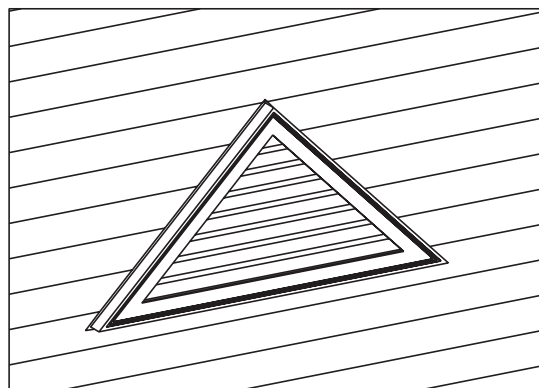
Step 4

Nail the vent to the wall through the slots in the nailing flange.



Step 5

When installing siding around the vent (with the ring off) apply siding material to within 1/4" of the sidewall of the vent.



Step 6

After installing the siding, lock the ring into one of the four positive locking positions for the perfect finishing touch and fit.

